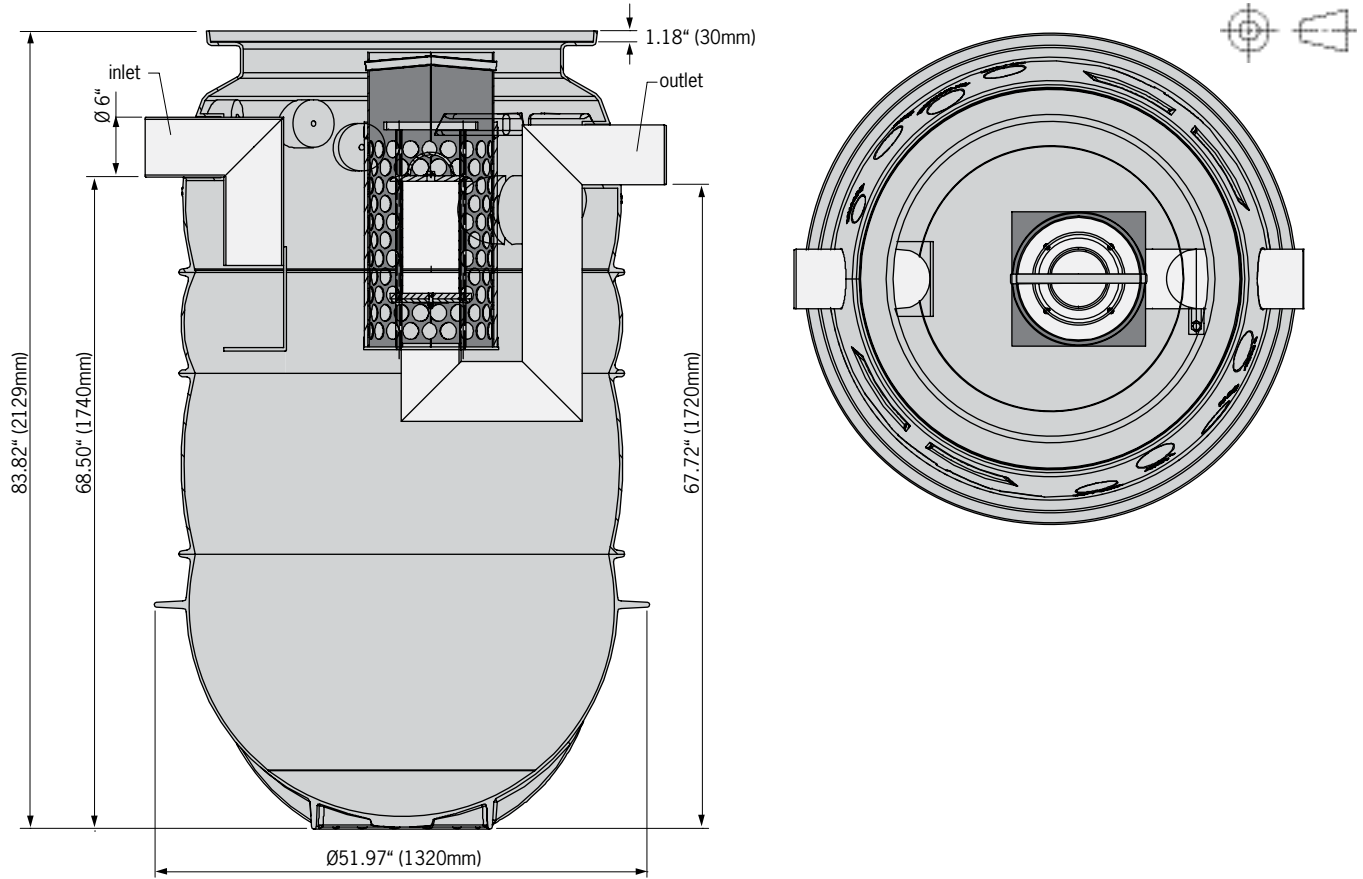


Separator body

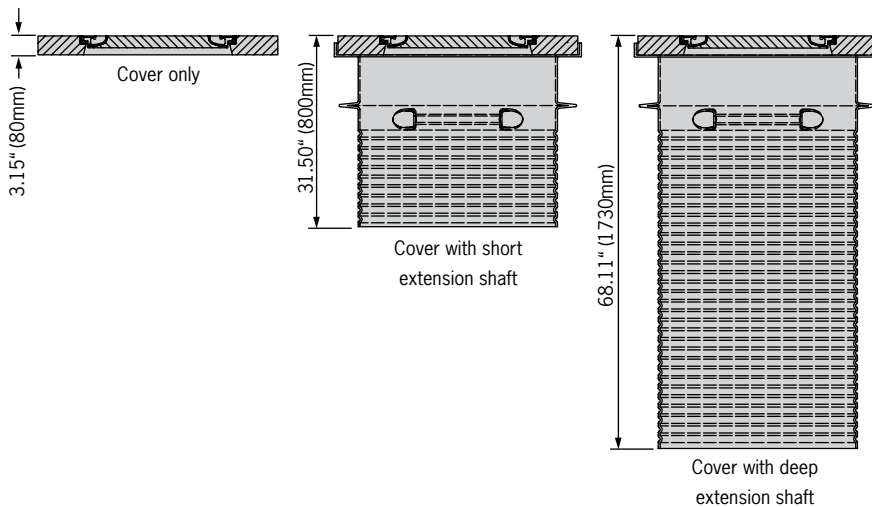


Model number	Maximum flow* L/s (gpm)	Volume solids trap L (gal)	Volume oil storage L (gal)	Total capacity L (gal)	Weight lbs	Part No.
NS10/1080	10 (160)	1080 (286)	260 (69)	1615 (427)	231.0	3910.80.00

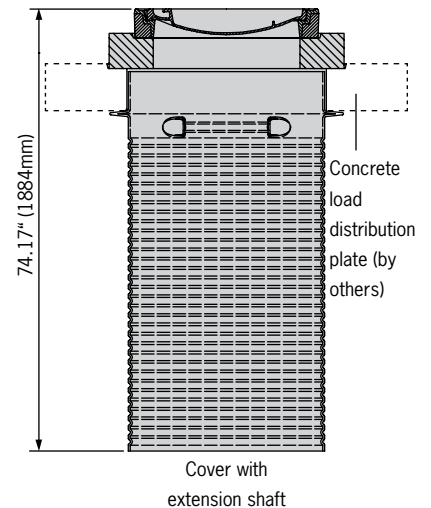
* Maximum flow indicated is for optimum performance - under 5mg/L hydrocarbons in effluent; higher flows can run through separator

Extension shafts & covers

PEDESTRIAN DUTY



HEAVY DUTY

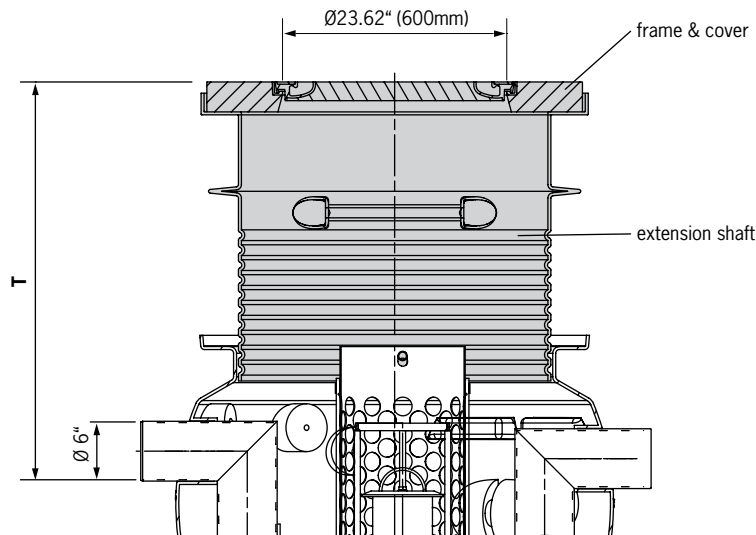


ACO Specification Information

ACO ENVIRONMENT

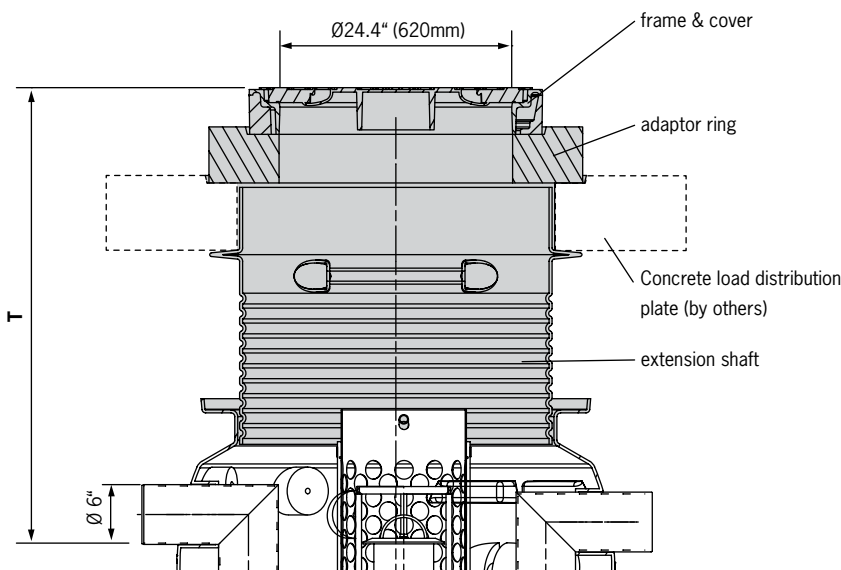
NS10/1080 OLEOPATOR P - MDPE vertical body oil-water separator

Pedestrian Duty Top



	T mm (inches)	Weight lbs	Part No.
Cover only	440 (17.3)	298.0	3301.14.00
Cover & short extension shaft	750-1050 (29.5-41.3)	376.2	3301.14.01
Cover & deep extension shaft	750-1870 (29.5-73.6)	424.8	3301.14.02

Heavy Duty Top



	T mm (inches)	Weight lbs	Part No.
Cover & extension shaft	885-1860 (34.8-73.2)	627.0	3301.17.00

NOTE: 1500mm (59in) diameter x 200mm thick concrete load distribution plate by others

Specifications

General

The oil water separator shall be **ACO Oleopator P NS10/1080** complete with ductile iron cover as manufactured by ACO Polymer Products, Inc..

Materials

The separator body shall be manufactured from medium density polyethylene (MDPE) and have minimum properties as follows:
 Tensile impact strength: 152 ft-lb/in²
 Tensile strength, ultimate: 3,480 psi
 Water absorption 0.01%
 Frost proof, salt proof and fuels and oils resistant

The oil separator shall be equipped with a coalescing unit and automatic shut-off valve for situations when maximum oil capacity is reached. Minimum oil storage capacity shall be 260 Liters (69 gal); minimum suspended solids storage capacity shall be 1080 Liters (286 gal). Separator shall be resistant to uplift forces from underground water up to finished grade water table level. The oil separator should not require a concrete surround.

Performance

The effluent water should contain maximum 5mg/L (5ppm) for maximum designed flow. Independent performance testing should be available on request.

Cover

Cover shall be manufactured from ductile iron to ASTM A 536-84 – Grade 65-45-12 and have a minimum inside opening diameter of 600mm (24in). The cover should be marked 'Separator' on the top. The cover shall be capable of withstanding pedestrian / heavy vehicle traffic*.

Distance from finished grade to inlet pipe invert (T) shall be . . . mm (. . . in). (see tables for values).

Accessories

The separator shall be equipped with high liquid level alarm / maximum oil capacity alarm / maximum suspended solids capacity alarm** systems.

Installation

Separator shall be installed in strict accordance with the manufacturer's installation instructions and recommendations.

* Choose one / ** Choose none, one or more

ACO Specification Information

ACO Polymer Products, Inc.

Northeast Sales Office
 P.O. Box 245
 Chardon, OH 44024
 Tel: (440) 285-7000
 Toll free: (800) 543-4764
 Fax: (440) 285-7005

West Sales Office
 P.O. Box 12067
 Casa Grande, AZ 85130
 Tel: (520) 421-9988
 Toll Free: (888) 490-9552
 Fax: (520) 421-9899

Southeast Sales Office
 4211 Pleasant Road
 Fort Mill, SC 29708
 Toll free: (800) 543-4764
 Fax: (803) 802-1063

Follow us on



Electronic Contact:

info@acousa.com
 www.acousa.com



© December 2013 ACO Polymer Products, Inc. This information is believed to be accurate but it is not guaranteed to be so. We cannot assume liability for results that buyer obtains with our product since conditions of use are beyond the control of the company. It is the customer's responsibility to evaluate suitability and safety of product for his own use. ACO Polymer Products Inc. reserves the right to change the product and specifications without notice. Re-order # EL013