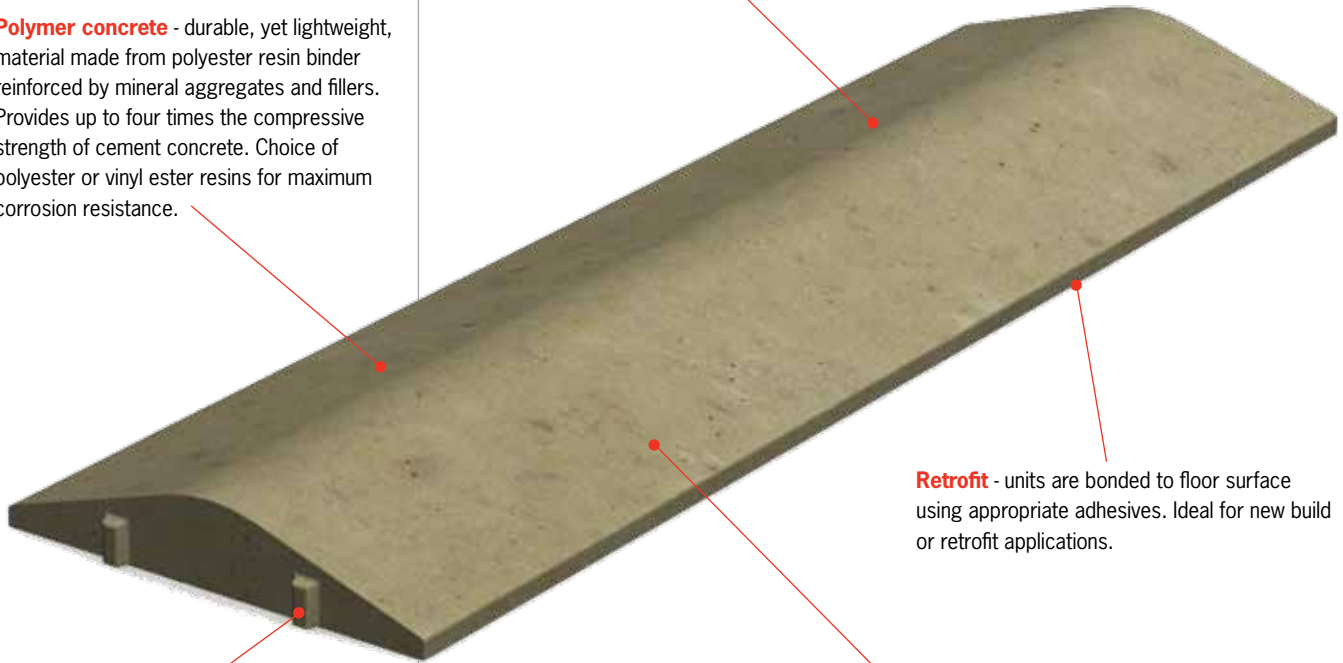


Polymer concrete curb units designed to provide safety containment bund

Polymer concrete - durable, yet lightweight, material made from polyester resin binder reinforced by mineral aggregates and fillers. Provides up to four times the compressive strength of cement concrete. Choice of polyester or vinyl ester resins for maximum corrosion resistance.

Choice of sizes - 12"w x 2.3"h or 24"w x 4"h curbs offer different containment capacities to suit application requirements.



Retrofit - units are bonded to floor surface using appropriate adhesives. Ideal for new build or retrofit applications.

Interlocking end profile - ensure correct alignment of units and create 3/16" gap for injection of adhesive to ensure units are fully sealed.

Sloped sides - allow slow moving forklifts and vehicles to drive over the curb to access the inside of the banded area.



ACO Spill Containment Curbing provides permanent diking protection for hazardous spill problems covering wide areas.

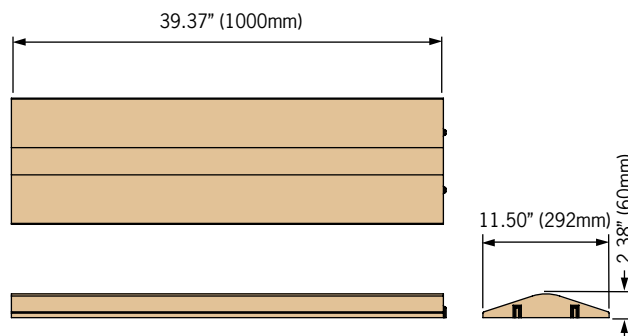
Units can be used across doorways to chemical containment rooms or used to create a fully contained, banded area for industrial facilities where chemicals are used and stored.

Polymer concrete is a composite material consisting of a variety of mineral fillers bound together with a polymer resin. It offers a high mechanical strength and is highly resistant to most acids and alkalis, therefore eliminating the need for expensive coatings.

	Part No	Length in (mm)	Width in (mm)	Weight lbs
Polymer concrete				
Type I curb - 2.3" high	05730	39.4 (1000)	11.5" (292)	54.0
Type II curb - 4.0" high	05731	39.4 (1000)	23.5" (597)	170.0
Vinyl ester polymer concrete				
Type I VE curb - 2.3" high	05733	39.4 (1000)	11.5" (292)	54.0
Type II VE curb - 4.0" high	05734	39.4 (1000)	23.5" (597)	170.0

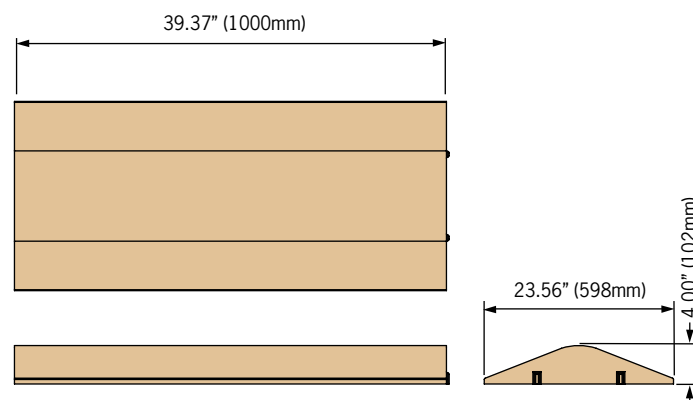
Type I Curb - Spill Containment Capacity (gallons)

Ft	5	10	15	20	25	30	35	40	45	50
5	36									
10	72	143								
15	108	215	323							
20	143	287	430	574						
25	179	358	538	717	896					
30	215	430	645	860	1075	1290				
35	251	502	753	1004	1255	1506	1756			
40	387	574	860	1147	1434	1721	2007	2294		
45	323	645	968	1290	1613	1936	2258	2581	2904	
50	358	717	1075	1434	1792	2151	2509	2868	3226	3585



Type II Curb - Spill Containment Capacity (gallons)

Ft	5	10	15	20	25	30	35	40	45	50
5	62									
10	125	249								
15	187	374	561							
20	249	499	748	997						
25	312	623	935	1247	1559					
30	374	748	1122	1496	1870	2244				
35	436	873	1309	1746	2182	2618	3055			
40	499	997	1496	1995	2494	2992	3491	3990		
45	561	1122	1683	2244	2805	3366	3928	4489	5050	
50	623	1247	1870	2494	3117	3741	4364	4987	5611	6234



Installation

Note: A chemical resistant grout or two-part adhesive suitable for the application is required to set curbs in place and seal joints.

1. Locate and install all trench drains and sub floor plumbing prior to setting spill curbs.
2. Mark out position of curbs on floor, degrease and clean thoroughly. Prepare curb surfaces using a diamond blade
3. When curbs are set end to end, installation spacers help align curbs and leave 3/16" gap for injection of adhesive.
4. If necessary, use a carborundum or diamond circular saw to cut curbs to
5. Finish installation by filling seams and any gaps or holes, smooth as necessary.
6. Allow a minimum 24 hours of curing before use.

ACO Polymer Products, Inc.

East Sales Office

P.O. Box 245
Chardon, OH 44024
Tel: (440) 285-7000
Toll free: (800) 543-4764
Fax: (440) 285-7005

West Sales Office

P.O. Box 12067
Casa Grande, AZ 85130
Tel: (520) 421-9988
Toll Free: (888) 490-9552
Fax: (520) 421-9899

Follow us on



Electronic Contact:

info@acousa.com
www.acousa.com

