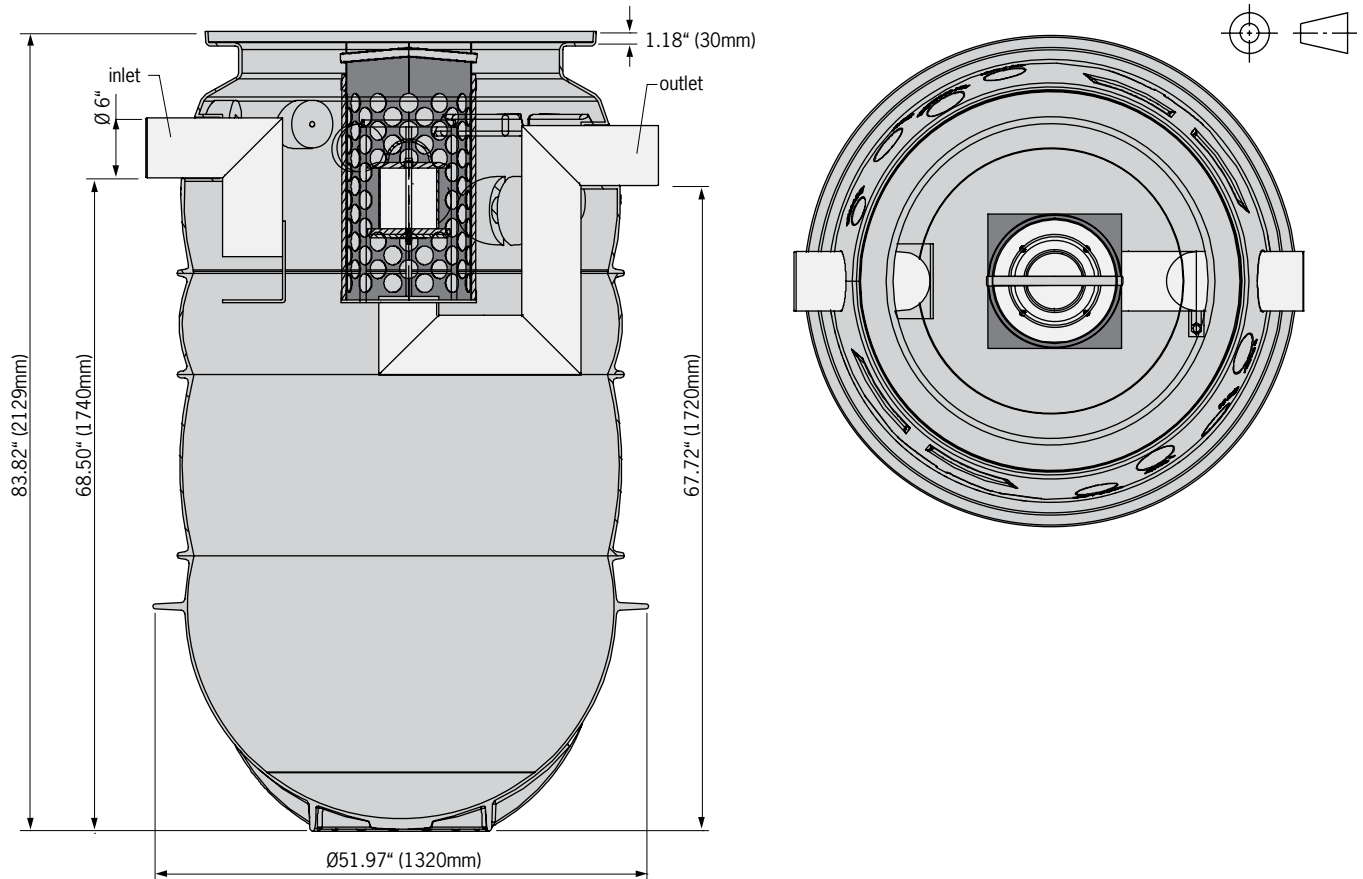


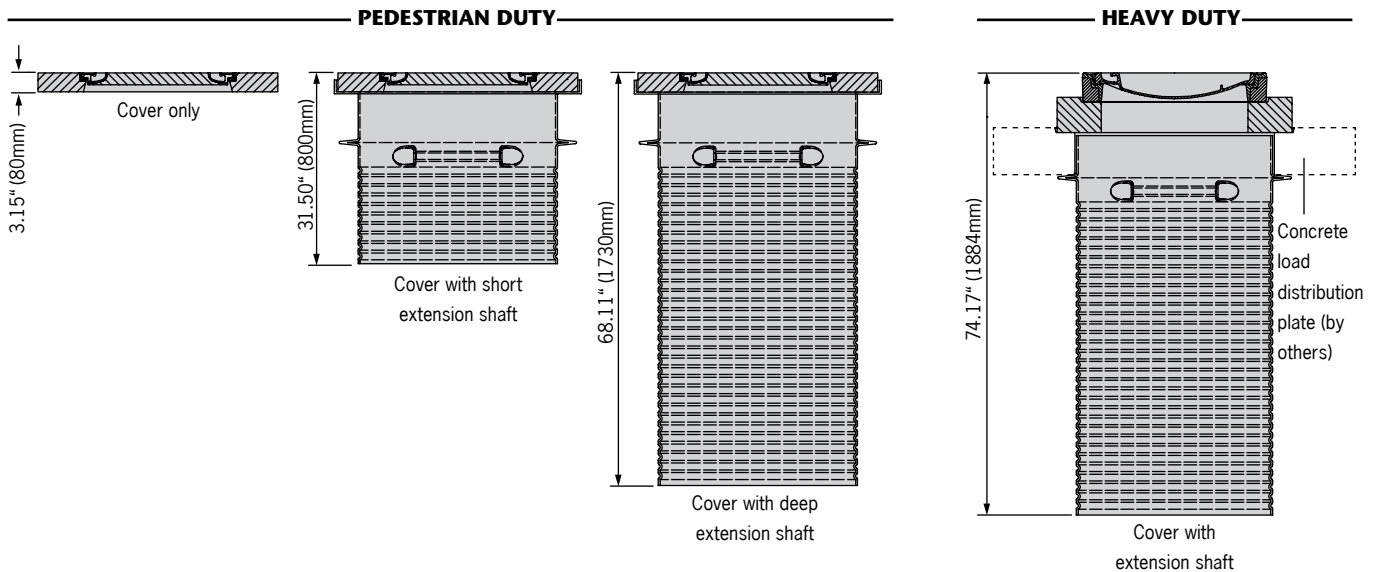
Separator body



Model number	Maximum flow* L/s (gpm)	Volume solids trap L (gal)	Volume oil storage L (gal)	Total capacity L (gal)	Weight lbs	Part No.
NS6/1210	6 (95)	1210 (320)	235 (62)	1525 (404)	222.2	3916.80.00

\* Maximum flow indicated is for optimum performance - under 5mg/L hydrocarbons in effluent; higher flows can run through separator

Extension shafts & covers

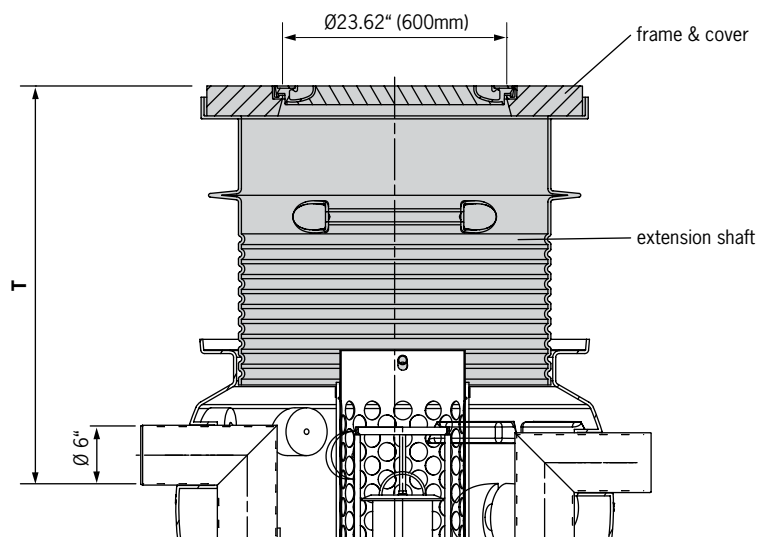


ACO Specification Information

# ACO ENVIRONMENT

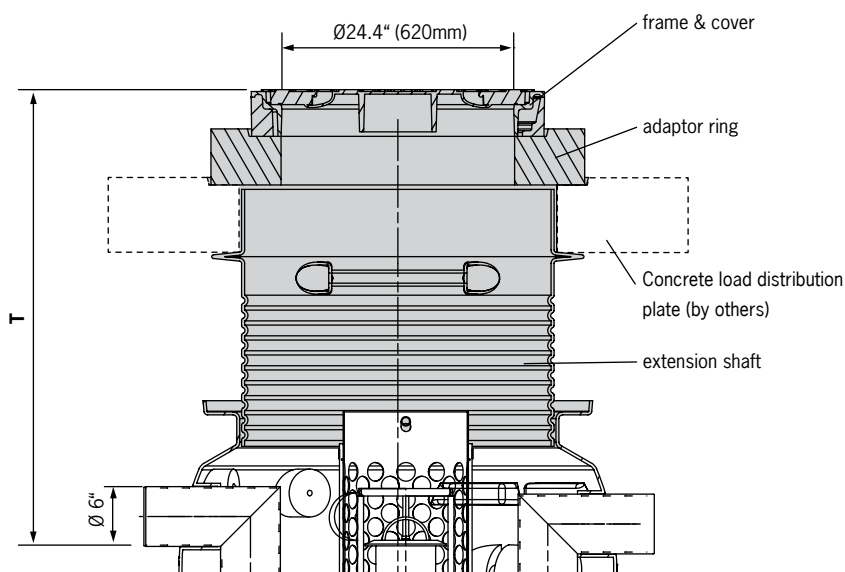
## NS6/1210 OLEOPATOR P - MDPE vertical body oil-water separator

### Pedestrian Duty Top



	T mm (inches)	Weight lbs	Part No.
Cover only	440 (17.3)	298.0	<b>3301.14.00</b>
Cover & short extension shaft	750-1050 (29.5-41.3)	376.2	<b>3301.14.01</b>
Cover & deep extension shaft	750-1870 (29.5-73.6)	424.8	<b>3301.14.02</b>

### Heavy Duty Top



	T mm (inches)	Weight lbs	Part No.
Cover & extension shaft	885-1860 (34.8-73.2)	627.0	<b>3301.17.00</b>

**NOTE:** 1500mm (59in) diameter x 200mm thick concrete load distribution plate by others

### Specifications

#### General

The oil water separator shall be **ACO Oleopator P NS6/1210** complete with ductile iron cover as manufactured by ACO, Inc.

#### Materials

The separator body shall be manufactured from medium density polyethylene (MDPE) and have minimum properties as follows:  
 Tensile impact strength: 152 ft-lb/in<sup>2</sup>  
 Tensile strength, ultimate: 3,480 psi  
 Water absorption 0.01%  
 Frost proof, salt proof and fuels and oils resistant

The oil separator shall be equipped with a coalescing unit and automatic shut-off valve for situations when maximum oil capacity is reached. Minimum oil storage capacity shall be 235 Liters (62 gal); minimum suspended solids storage capacity shall be 1210 Liters (320 gal). Separator shall be resistant to uplift forces from underground water up to finished grade water table level. The oil separator should not require a concrete surround.

#### Performance

The effluent water should contain maximum 5mg/L (5ppm) for maximum designed flow. Independent performance testing should be available on request.

#### Cover

Cover shall be manufactured from ductile iron to ASTM A 536-84 – Grade 65-45-12 and have a minimum inside opening diameter of 600mm (24in). The cover should be marked 'Separator' on the top. The cover shall be capable of withstanding pedestrian / heavy vehicle traffic\*.

Distance from finished grade to inlet pipe invert (T) shall be . . . mm ( . . . in). (see tables for values).

#### Accessories

The separator shall be equipped with high liquid level alarm / maximum oil capacity alarm / maximum suspended solids capacity alarm\*\* systems.

#### Installation

Separator shall be installed in strict accordance with the manufacturer's installation instructions and recommendations.

\* Choose one /\*\* Choose none, one or more

ACO Specification Information

**ACO, Inc.**  
**Northeast Sales Office**  
 9470 Pinecone Drive  
 Mentor, OH 44060  
 Tel: (440) 639-7230  
 Toll free: (800) 543-4764  
 Fax: (440) 639-7235

**West Sales Office**  
 825 W. Beechcraft St.  
 Casa Grande, AZ 85122  
 Tel: (520) 421-9988  
 Toll Free: (888) 490-9552  
 Fax: (520) 421-9899

**Southeast Sales Office**  
 4211 Pleasant Road  
 Fort Mill, SC 29708  
 Toll free: (800) 543-4764  
 Fax: (803) 802-1063



**Electronic Contact:**  
 info@acousa.com  
 www.acousa.com



© April 2018, ACO, Inc. This information is believed to be accurate but it is not guaranteed to be so. We cannot assume liability for results that buyer obtains with our product since conditions of use are beyond the control of the company. It is the customer's responsibility to evaluate suitability and safety of product for his own use. ACO, Inc. reserves the right to change the product and specifications without notice. Re-order # EL012